

SPECIFICATIONS

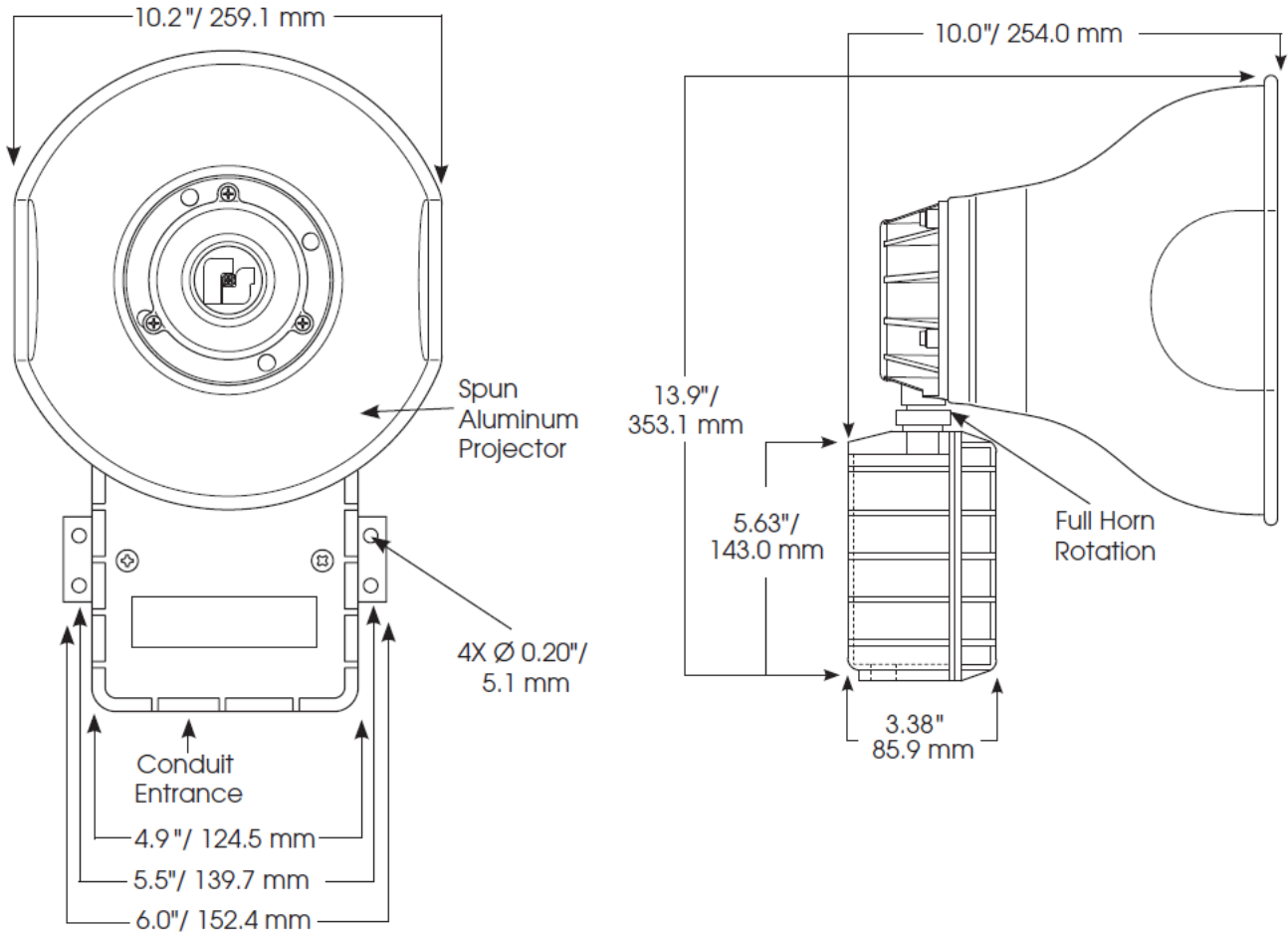
MODEL # 3602 (VERSION 2.0) ELECTRONIC SIREN



SPECIFICATIONS:

MODEL	3602	3602-230	3602-24
OPERATING VOLTAGE	120 VAC, 50/60Hz	240 VAC, 50/60Hz	+24 VDC
CURRENT	0.21 A	0.12 A	0.50 A
POWER	25.2 VA	28.8 VA	12.0 VA
OUTPUT AT 10 FT (3.05 m)	107.5 to 110.5 dBA		
SOUND ADJUSTMENT	Projector can be rotated 180°		
MATERIAL AND FINISH	Aluminum, powder-coated gray		
tone SELECTION	Three options - wail, yelp, and horn – user selectable		
DIMENSIONS	13.9" H x 10.2" W x 10.0" D (353.1 mm x 259.1 mm x 254.0 mm)		
MOUNTING	Flat surface mounting using integral mounting tabs		
TEMP. RANGE	-67° to +150° F (-55° to +66° C)		
ENVIRONMENTAL	Indoor and outdoor use. Type 4X, IP66 enclosure.		
CERTIFICATIONS	UL and cUL Listed		
NET WEIGHT	6.5 lbs (2.9 kg)		
SHIPPING WEIGHT	7.5 lbs (3.5 kg)		

DIMENSIONS (SIREN):



ORDERING GUIDE:

MODEL #	DESCRIPTION
3602 (V2)	ELECTRONIC SIREN, 120VAC (V2)
3602-230 (V2)	ELECTRONIC SIREN, 230VAC (V2)
3602-24 (V2)	ELECTRONIC SIREN, 24VAC (V2)