

## SPECIFICATIONS

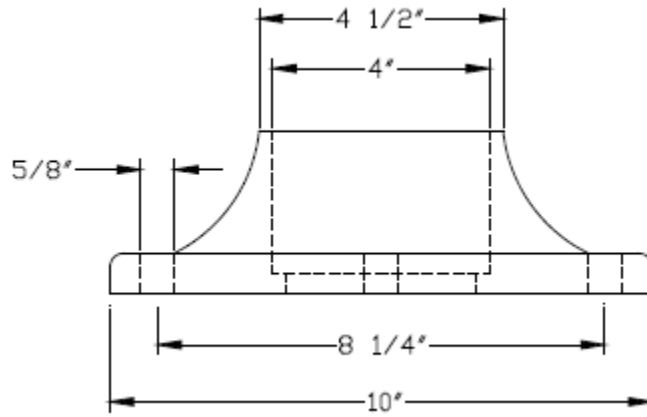
### MODEL # 3702

### FIXED LENGTH MOUNTING POLE

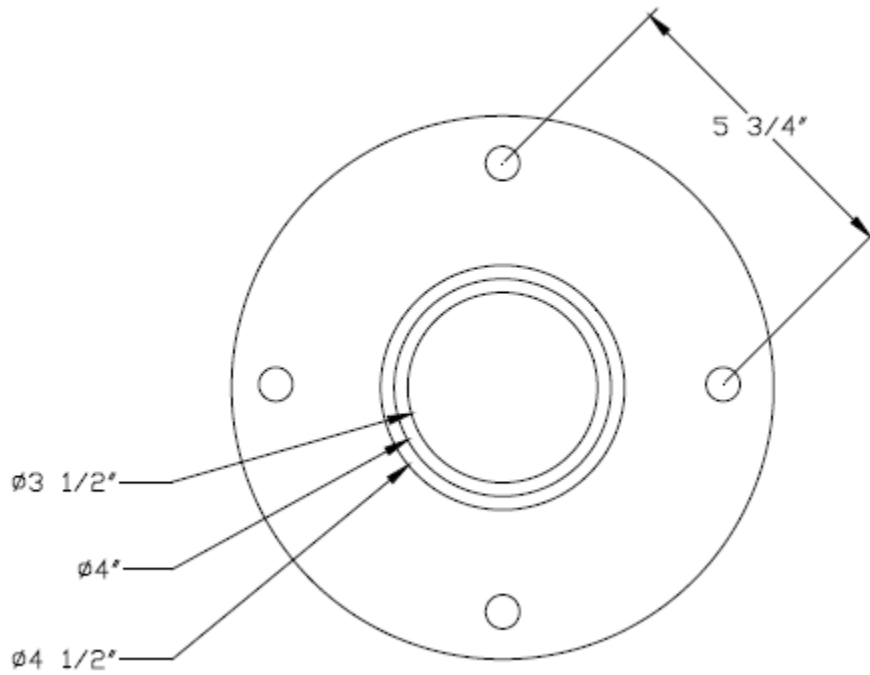
<b>ADJUSTMENT</b>	Fixed length.
<b>DIMENSIONS</b>	<b>Pole Base Flange</b> 10 inches (254 mm) Diameter 2.75 inches (69.85 mm) High <b>Pole Height</b> 10 feet (3.05 m). <b>Pole Diameter</b> 4.0 inches (101.6 mm) OD.
<b>CONSTRUCTION</b>	<b>Pole</b> 4.0 inches (101.6 mm) OD. w/.188 inches (4.7752 mm) wall, 6061-T6 extruded seamless aluminum tubing Handhole centered 18 inches (457.2 mm) above the bottom of the shaft. Handhole cover secured in place by stainless steel screws. <b>Base Flange</b> One-piece cast aluminum with 8.25 inches (209.55 mm) bolt centers between four 5/8 inch (15.875 mm) through-holes.
<b>FINISH</b>	Brushed aluminum.
<b>ATTACHMENT</b>	Via pole base flange. Poles are complete with all hardware except base mounting bolts and nuts.
<b>SHIPPING WEIGHT</b>	60 lbs (27 kg).



POLE BASE FLANGE DETAILS:



SIDE VIEW



TOP VIEW