

SPECIFICATIONS

MODEL # 3617

LED SIGNAL WITH POLYCARBONATE TRAFFIC HEAD



HOUSING	1-SECTION POLYCARBONATE WITH CAP VISOR AND TERMINAL BLOCK OPTIONAL: TUNNEL VISOR, NO VISOR
HOUSING COLORS	STANDARD: YELLOW OPTIONAL: GREEN, BLACK
HOUSING DIMENSIONS	8": 10.0"H X 10.25"W X 12.62"D (WITH VISOR) 12": 14.0"H X 14.0"W X 16.62"D (WITH VISOR)
SIGNAL SIZE OPTIONS	8" OR 12"
SIGNAL COLOR OPTIONS	AMBER, RED, OR GREEN
VOLTAGE OPTIONS	120 VAC, 24 VDC, OR 12 VDC
MOUNTING	2.0" HOLE TOP AND BOTTOM FITS STANDARD 1-1/2" NPT FITTINGS (AVAILABLE SEPARATELY)
OPERATING TEMPERATURE	-40° TO +165°F (-40° TO +74°C)
CERTIFICATIONS	AC MODELS: INTERTEK ETL / ITE VTCSH LED CIRCULAR SIGNAL SUPPLEMENT 2005 DC MODELS: MEET ITE 2005 INTENSITY, COLOR, AND UNIFORMITY

120 VAC MODELS:

MODEL	SIGNAL SIZE	SIGNAL COLOR	NOMINAL VOLTAGE (VAC)	OPERATING VOLTAGE (VAC)	POWER (W)	DOMINANT WAVELENGTH (NM)	MAINTAINED INTENSITY (CD) MIN.
3617-8R	8"	RED	120	80-135	6.4	628	240
3617-8A	8"	AMBER	120	80-135	9.9	589	760
3617-8G	8"	GREEN	120	80-135	6.4	499	450
3617-12R	12"	RED	120	80-135	6.3	625	365
3617-12A	12"	AMBER	120	80-135	10.0	589	910
3617-12G	12"	GREEN	120	80-135	9.5	501	475

24 VDC MODELS:

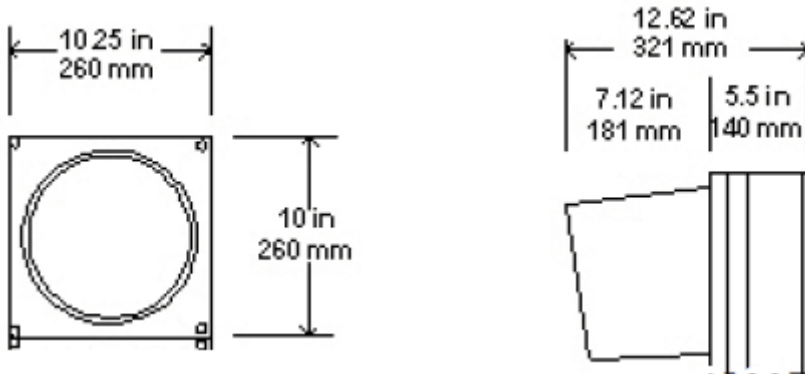
MODEL	SIGNAL SIZE	SIGNAL COLOR	NOMINAL VOLTAGE (VDC)	OPERATING VOLTAGE (VDC)	POWER (W)	DOMINANT WAVELENGTH (NM)	MAINTAINED INTENSITY (CD) MIN.
3617-8R-24	8"	RED	24	10-28	2.4	626	165
3617-8A-24	8"	AMBER	24	10-28	4.3	589	410
3617-8G-24	8"	GREEN	24	10-28	3.4	500	215
3617-12R-24	12"	RED	24	10-28	4.4	626	365
3617-12A-24	12"	AMBER	24	10-28	10	589	910
3617-12G-24	12"	GREEN	24	10-28	6.6	500	475

12 VDC MODELS:

MODEL	SIGNAL SIZE	SIGNAL COLOR	NOMINAL VOLTAGE (VDC)	OPERATING VOLTAGE (VDC)	POWER (W)	DOMINANT WAVELENGTH (NM)	MAINTAINED INTENSITY (CD) MIN.
3617-8R-12	8"	RED	12	10-28	2.4	626	165
3617-8A-12	8"	AMBER	12	10-28	4.3	589	410
3617-8G-12	8"	GREEN	12	10-28	3.4	500	215
3617-12R-12	12"	RED	12	10-28	4.4	626	365
3617-12A-12	12"	AMBER	12	10-28	10	589	910
3617-12G-12	12"	GREEN	12	10-28	6.6	500	475

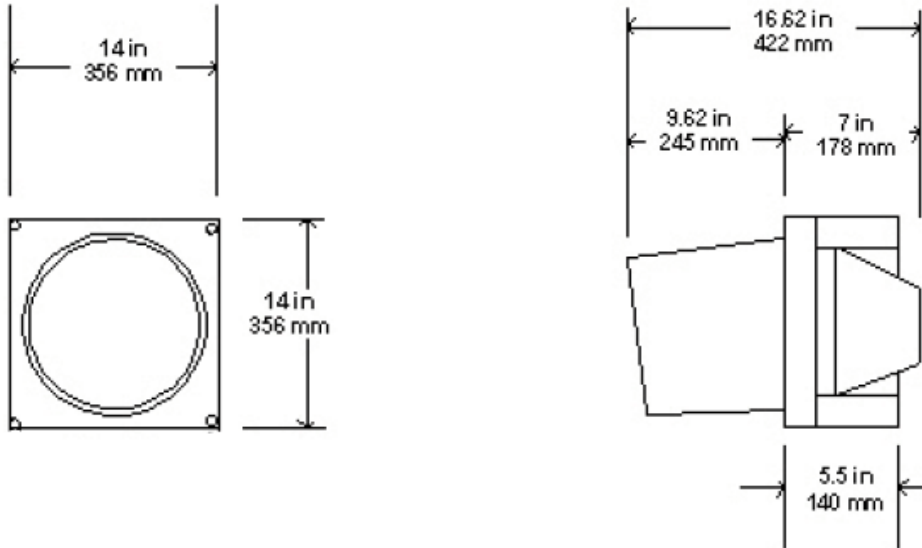
HOUSING DIMENSIONS:

8-INCH



HOUSING DIMENSIONS (CON'T):

12-INCH



ORDERING GUIDE:

		Typical product code		3617	-12	A	-24
Model	3617	LED signal with polycarbonate traffic head					
Size	8	8-inch signal					
	12	12-inch signal					
Signal Color	R	Red					
	A	Amber					
	G	Green					
Input Voltage	24	24VDC					
	12	12VDC					
	(Blank)	120VAC					

INCLUDED ITEMS:

- (1) 1-SECTION POLYCARBONATE TRAFFIC HEAD
- (1) POLYCARBONATE CAP VISOR
- (1) LED SIGNAL MODULE
- (1) TERMINAL BLOCK

OPTIONAL ITEMS:

- MOUNTING HARDWARE
- SIGNAL CLOSURE KIT

Additional accessories and warning devices are available from Trigg Industries LLC.
Contact sales@triggindustries.com for details.