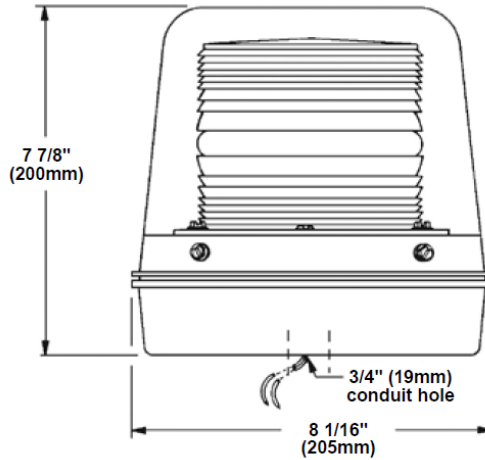


SPECIFICATIONS

MODEL # 3612
HEAVY DUTY STROBE



MODEL	3612	3612-24
OPERATING VOLTAGE	120 VAC, 50/60Hz	+24 VDC
CURRENT	0.1 A	1.2 A
POWER	12.0 VA	28.8 VA
FLASH RATE	65 FPM	
PEAK OUTPUT	800,000 Candela	
LAMP LIFE	3,000 Hours	
LENS COLORS	Amber, Blue, Clear, Green, Magenta, Red	
DIMENSIONS	7-7/8" H x 8-1/16" DIA. (200 mm X 205 mm)	
MOUNTING	3/4" NPT pipe mount	
ENVIRONMENTAL	Indoor/outdoor use. NEMA 4X. Hazardous locations (Class I, Div 2, Groups A, B, C and D; Class II, Div 2, Groups F and G; Class III) Operating Temperature: -13° to +104° F (-25 to +40° C)	
CERTIFICATIONS	UL Listed	
NET WEIGHT	5.53 LBS (2.51 KG)	5.60 LBS (2.54 KG)
SHIPPING WEIGHT	6.10 LBS (2.77 KG)	6.18 LBS (2.80 KG)